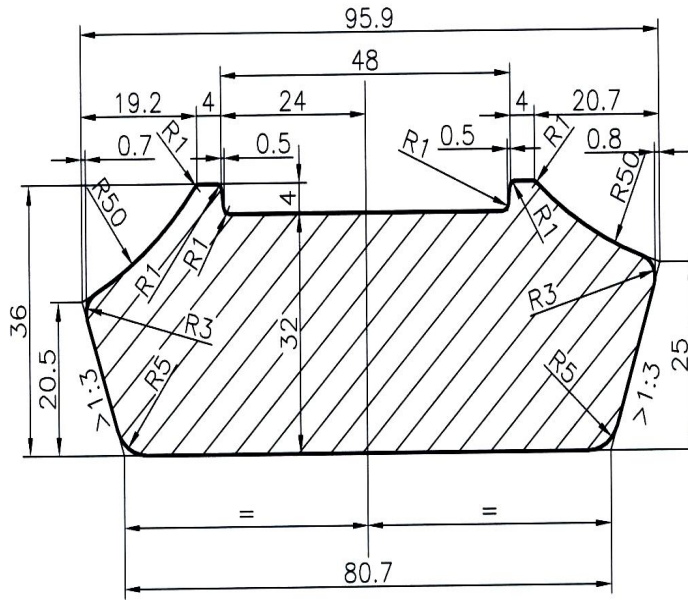
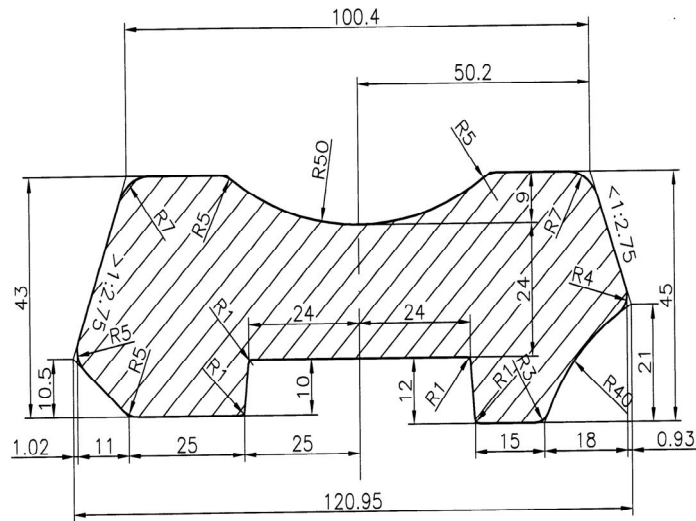




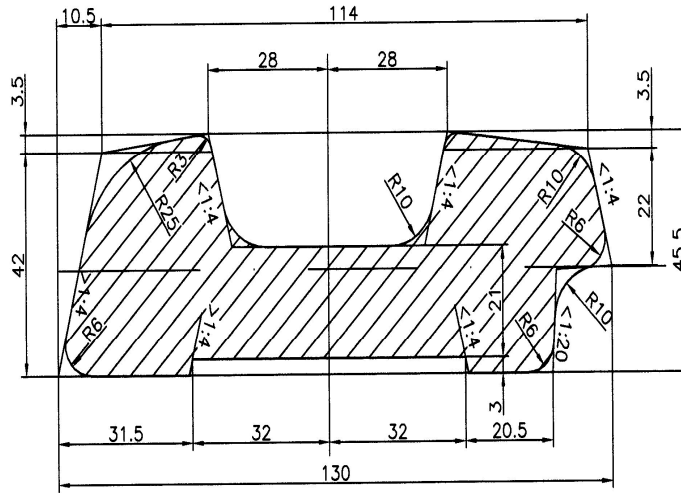
- ❖ Eclisă tip 49  
UIC 864 – 4  
Posibil de asimilat



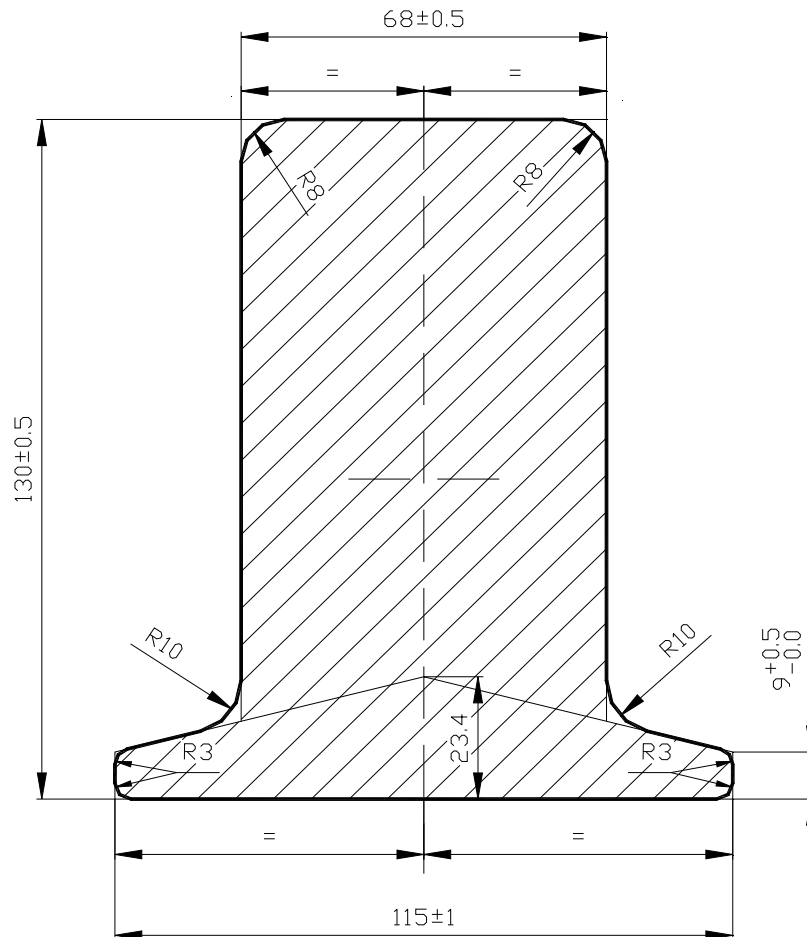
- ❖ Eclisă tip 60  
UIC 864 – 4  
Posibil de asimilat



- ❖ Eclisă tip 65  
UIC 864 – 4  
Posibil de asimilat



- ❖ Șină plină (șină conductor electric pentru metrou)  
ST 02 – 06



## TYPICAL SPECIAL PROFILES

**LAT CU BULB** *APROBAT: Germanischer Lloyd, Det Norske Veritas, Lloyd's Register, Bureau Veritas*  
**FLAT WITH BULB** *APPROVED: Germanischer Lloyd, Det Norske Veritas, Lloyd's Register, Bureau Veritas*

### Otel lat cu bulb

- Dimensiuni și toleranțe în conformitate cu:

EN 10067:1996  
 SR EN 10067:1999  
 SR EN 10067/C91:2004

- Otel pentru construcții navale:

GRAD A  
 GRAD A 36

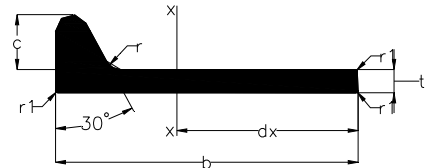
### Flat steel with bulb

- Dimensions and tolerances in accordance with:

EN 10067:1996  
 SR EN 10067:1999  
 SR EN 10067/C91:2004

- Ship building steels:

GRAD A  
 GRAD A 36



Dimensiuni nominale Nominal dimensions	Dimensiuni pentru Dimensions for				Sectiunea transversala Sectional area A (cm <sup>2</sup> )	Masa lineara Weight per meter G (kg/m)	Suprafata laterala Surface area U (m <sup>2</sup> /m)	Mărimi statice pentru axa X-X Section properties		
	b (mm)	t (mm)	c (mm)	r (mm)				Distanța față de centrul de greutate Centroid d <sub>x</sub> (cm)	Moment de inerție Moment of inertia I <sub>x</sub> (cm <sup>4</sup> )	Modul de rezistență Coefficient of resistance W <sub>x</sub> (cm <sup>3</sup> )
●80 x 5	80	5	14	4	5.41	4.25	0.189	4.9	33.87	6.91
●80 x 6		6			6.21	4.88	0.191	4.78	38.7	8.1
100 x 7	100	7	15.5	4.5	8.74	6.86	0.236	5.87	85.3	14.5
100 x 8		8			9.74	7.65	0.236	5.78	94.3	16.3
120 x 6	120	6	17	5	9.32	7.32	0.276	7.21	133	18.5
120 x 7		7			10.52	8.26	0.278	7.07	149	21
120 x 8		8			11.72	9.2	0.28	6.96	165	23.6
140 x 7	140	7	19	5.5	12.43	9.75	0.32	8.32	241	29
140 x 8		8			13.83	10.85	0.322	8.18	266	32.5
140 x 10		10			16.63	13.5	0.326	7.99	315	39.5
160 x 7	160	7	22	6	14.6	11.46	0.365	9.66	373	38.6
160 x 8		8			16.2	12.72	0.367	9.5	411	43.3
160 x 9		9			17.8	13.97	0.369	9.37	449	47.9
180 x 8	180	8	25	7	18.86	14.8	0.411	10.89	609	55.9
180 x 9		9			20.66	16.22	0.413	10.73	664	61.8
180x10		10			22.46	17.63	0.415	10.59	717	67.7
200 x 9*		9			23.66	18.57	0.457	12.12	942	77.7
200 x 10	200	10	28	8	25.66	20.14	0.459	11.96	1017	85.1
200 x 11		11			27.66	21.71	0.461	11.82	1091	92.3
200 x 12		12			29.66	23.28	0.463	11.69	1164	99.5
220 x 10	220	10	31	9	29.0	22.77	0.503	13.35	1396	105
220 x 11		11			31.2	24.5	0.506	13.19	1496	114
220 x 12		12			33.4	26.22	0.507	13.04	1595	122
●240x10	240	10	34	10	32.49	25.5	0.547	14.77	1865	126
●240x11		11			34.89	27.39	0.549	14.58	1997	137
●240x12		12			37.29	29.27	0.551	14.42	2127	148
●260x10	260	10	37	11	36.11	28.35	0.591	16.22	2434	150
●260x11		11			38.71	30.39	0.593	16	2605	163
●260x12		12			41.31	32.43	0.596	15.81	2774	175

●In curs de asimilare;

\*Dimensiunile se fabrica la intelegere;

Dimensiuni Dimensions				Tolerante Tolerances	
b (mm)		t (mm)		b (mm)	t (mm)
>	≤	≥	≤		
	120	5	8	±1.5	+0.7 -0.3
120	180	7	11	±2.0	+1.0 -0.3
180	300	9	13	±3.0	+1.0 -0.4

- Livrare:** - Lungimi fixe de la 6m la 12m, din metru în metru;  
 - Orice altă lungime stabilită de comun acord Producător Beneficiar;  
 - Legături de la 2.5 t până la 5 t;  
 - La cerere se pot livra *Sablata, Grunduite*.
- Delivery:** - Fixed lengths between 6m and 12m, cut at every one metre;  
 - Any other length agreed between Manufacturer and Beneficiary;  
 - Bundles from 2.5 to 5 t;  
 - If requested they can be delivered *Shotblasted and Primed*.

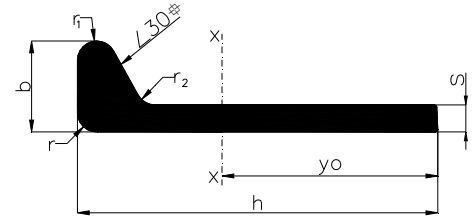
**ПОЛОСОБУЛЬБ ИЗГОТОВЛЕН ПОД НАДЗОРОМ МОРСКОГО И РЕЧНОГО РЕГИСТРА РОССИИ**  
**FLAT WITH BULB APPROVED BY MARINE REGISTER AND RIVER REGISTER FROM RUSIA**

**Flat steel with bulb**

- Dimensions and tolerances in accordance with:  
 GOST 21937 - 76  
 - Ship building steels:  
 GOST 5521 - 93

**СТАЛЬНОЙ ПОЛОСОБУЛЬБ**

- Размеры и предельные отклонения  
 соответствуют ГОСТу 21937 – 76  
 - прокат стальной для судостроения  
 ГОСТ 5521 - 93



Номер полособул ьба Nominal dimensions	h	b	s	r, r1, r2	Площадь сечения ПБ Sectional area cm <sup>2</sup>	Теорет масса 1 м профи ля Weight per meter m/kg	Справочная величина для осей / Section proprieties								Угол накл она оси u-u tg α	Координаты центра тяжести Centroid	
							x-x				y-y		u-u			x <sub>0</sub> , cm	y <sub>0</sub> , cm
							I <sub>x</sub> , cm <sup>4</sup>	i <sub>x</sub> , cm	W <sub>x</sub> , cm <sup>3</sup>	W' <sub>x</sub> , cm <sup>3</sup>	I <sub>y</sub> , cm <sup>4</sup>	i <sub>y</sub> , cm	I <sub>u min</sub> , cm <sup>4</sup>	i <sub>u min</sub> , cm			
5	50	16	4.0	2.5	2.86	2.25	6.85	1.55	2.2	6.9	0.41	0.38	0.28	0.31	0.14	0.41	3.13
6	60	19	5.0	3.5	4.28	3.36	14.60	1.85	3.9	12.3	0.88	0.45	0.60	0.38	0.14	0.50	3.74
7	70	21	5.0	3.5	5.07	3.98	23.80	2.17	5.4	17.1	1.27	0.50	0.87	0.41	0.13	0.54	4.40
8	80	22	5.0	4.0	5.84	4.58	35.98	2.49	7.1	22.6	1.63	0.53	1.10	0.44	0.12	0.55	5.07
10	100	26	6.0	5.0	8.63	6.76	83.45	3.11	13.2	41.2	3.31	0.62	2.26	0.51	0.11	0.65	6.29
12	120	30	6.5	5.0	11.13	8.75	157.36	3.76	20.9	63.7	5.57	0.71	3.82	0.59	0.11	0.72	7.55
●14a	140	33	7.0	6.0	14.05	11.05	271.51	4.39	30.6	93.5	8.61	0.78	5.88	0.65	0.10	0.79	8.82
●14б	140	35	9.0	6.0	16.85	13.23	324.11	4.38	38.0	107.7	10.44	0.79	7.48	0.67	0.10	0.84	8.53
●16a	160	36	8.0	7.0	17.94	14.08	452.07	5.02	45.0	134.4	12.72	0.84	8.80	0.70	0.09	0.86	9.99
●16б	160	38	10.0	7.0	21.11	16.60	531.10	5.00	54.8	154.0	15.20	0.85	10.95	0.72	0.09	0.91	9.75
●18a	180	40	9.0	7.0	22.18	17.41	712.53	5.67	64.0	184.3	18.55	0.92	13.00	0.77	0.09	0.93	11.13
●18б	180	42	11.0	7.0	25.78	20.24	823.78	5.65	78.0	207.1	21.80	0.92	15.85	0.78	0.09	0.98	10.83
●20a	200	44	10.0	8.0	27.36	21.47	1083.40	6.29	87.7	251.9	27.71	1.01	19.44	0.84	0.09	1.02	12.35
●20б	200	46	12.0	8.0	31.36	24.60	1236.10	6.28	102.5	280.5	32.08	1.01	23.30	0.86	0.09	1.08	12.06
●22a	220	48	11.0	8.5	32.82	25.75	1574.90	6.93	116.3	330.3	38.86	1.09	27.42	0.92	0.09	1.11	13.53
●22б	220	50	13.0	8.5	37.22	29.20	1777.30	6.91	134.3	363.0	44.46	1.09	32.28	0.93	0.08	1.16	13.20
●24a	240	52	12.0	9.0	38.75	30.42	2217.00	7.56	151.2	423.3	53.10	1.17	37.62	0.98	0.08	1.19	14.71
●24б	240	54	14.0	9.0	43.55	34.18	2478.80	7.54	172.4	463.7	60.10	1.17	43.89	1.00	0.08	1.25	14.41

● In asimilation process/в ходе освоения

Номер полособул ьба Nominal dimensions	Предельные отклонения/ Tolerances				по высоте полособул ьбы h
	b		s		
	Обычная точность Normal precision	Высокая точность High precision	Обычная точность Normal precision	Высокая точность High precision	
5, 6, 7	± 0.5	-	+ 0.4	-	± 1.0
8	± 0.5	+ 0.4 - 0.5	+ 0.4 - 0.5	+ 0.3 - 0.5	± 1.2
9	± 0.5	-	+ 0.4 - 0.5	-	± 1.2
10	± 0.5	+ 0.4 - 0.5	+ 0.4 - 0.5	+ 0.3 - 0.5	± 1.5
12	± 0.5	+ 0.4 - 0.5	+ 0.4 - 0.5	+ 0.3 - 0.5	± 1.5
14	+ 0.5 - 0.6	+ 0.4 - 0.6	+ 0.4 - 0.6	+ 0.3 - 0.6	± 1.8
16	+ 0.6 - 0.7	-	+ 0.4 - 0.6	-	± 2.0
От/From 18 до/to 20	+ 0.7 - 0.9	+ 0.6 - 0.9	+ 0.4 - 0.6	+ 0.3 - 0.6	+ 2.3 - 2.5
От/From 22 до/to 24 и свыше/ and upper	+ 0.8 - 1.0	+ 0.7 - 1.0	+ 0.4 - 0.6	+ 0.3 - 0.6	+ 2.5 - 3.0

Delivery: - Fixed lengths between 4 m and 12 m:  
 > fixed lengths  
 > multiple fixed lengths  
 > different lengths  
 - Any other length agreed between Manufacturer and Beneficiary;  
 - Bundles from 2.5 to 5 t;  
 - If requested they can be delivered **Shotblasted** and **Primed**.  
 Поставка – длиной от 4 до 12 м  
 > мерной длины  
 > кратной мерной длины  
 > немерной длины  
 любую длину по согласованию Изготовителя с Потребителем  
 Пакеты от 2,5 до 5 т  
 По заявке можно поставлять с *очисткой и грунтовкой*

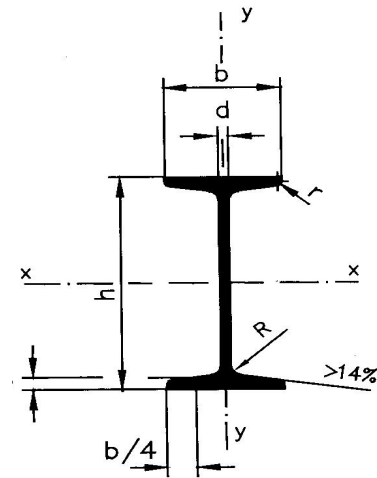
# INP

- Dimensiuni si tolerante  
in conformitate cu:  
EN 10024:1995  
DIN 1025-1:1995  
SR EN 10024:1998

- Marci de otel:  
EN 10025-1:2004  
EN 10025-2:2004

- Dimensions and tolerances  
in accordance with:  
EN 10024:1995  
DIN 1025-1:1995  
SR EN 10024:1998

- Steel grades:  
EN 10025-1:2004  
EN 10025-2:2004



Denumire Designation	A (cm <sup>3</sup> )	G (kg/m)	Dimensiuni Dimensions					Mărimi statice Section properties						S <sub>x</sub> (cm <sup>3</sup> )
			h (mm)	b (mm)	t (mm)	d=R (mm)	r (mm)	x-x			y-y			
								I <sub>x</sub> (cm <sup>4</sup> )	W <sub>x</sub> (cm <sup>3</sup> )	i <sub>x</sub> (cm)	I <sub>y</sub> (cm <sup>4</sup> )	W <sub>y</sub> (cm <sup>3</sup> )	i <sub>y</sub> (cm)	
I 120	14.2	11.2	120	58	7.7	5.1	3.1	328	54.6	4.81	21.5	7.41	1.23	31.8
I 140	18.3	14.4	140	66	8.6	5.7	3.4	573	81.9	5.61	36.2	10.71	1.40	47.7
I 160	22.8	17.9	160	74	9.5	6.3	3.8	935	117	6.4	54.7	14.8	1.55	68

Denumire Designation	Abateri limită Tolerances		
	h (mm)	b (mm)	t (mm)
I 120	+/- 2	+/- 1.5	+2.0/-1.0
I 140			
I 160			

**Livrare:** - Lungimi fixe de la 6m la 12m, din metru în metru;  
- Orice altă lungime stabilită de comun acord Producător-Beneficiar;  
- Legături de la 2.5 t până la 5 t.

**Delivery:** - Fixed lengths between 6m and 12m, cut at every one metre;  
- Any other length agreed between Manufacturer and Beneficiary;  
- Bundles from 2.5 to 5 t.

# UNP

- Dimensiuni si tolerante in conformitate cu:

EN 10279:2000  
DIN 1026-1:2000  
SR EN 10279:2002

- Marci de otel:

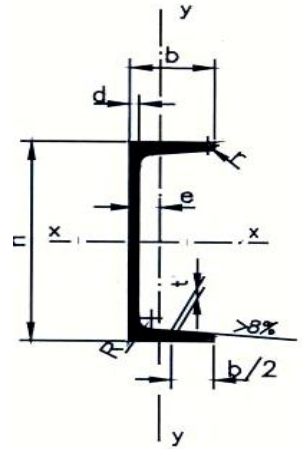
EN 10025-1:2004  
EN 10025-2:2004

- Dimensions and tolerances in accordance with:

EN 10279:2000  
DIN 1026-1:2000  
SR EN 10279:2002

- Steel grades:

EN 10025-1:2004  
EN 10025-2:2004



Denumire Designation	A (cm <sup>2</sup> )	G (kg/m)	Dimensiuni Dimensions						Mărimi statice Section properties						e <sub>y</sub> (cm)
			h (mm)	b (mm)	d (mm)	t (mm)	R (mm)	r (mm)	x-x			y-y			
									I <sub>x</sub> (cm <sup>4</sup> )	W <sub>x</sub> (cm <sup>3</sup> )	i <sub>x</sub> (cm)	I <sub>y</sub> (cm <sup>4</sup> )	W <sub>y</sub> (cm <sup>3</sup> )	i <sub>y</sub> (cm)	
U 80	11	8.64	80	45	6	8	8	4	106	26.5	3.1	19.4	6.36	1.33	1.45
U 100	13.5	10.6	100	50	6	8.5	8.5	4.5	205	41.2	3.91	29.3	8.49	1.47	1.55
U 120	17	13.4	120	55	7	9	9	4.5	364	60.7	4.62	43.2	11.1	1.59	1.6
U 140	20.4	16	140	60	7	10	10	5	605	86.4	5.45	62.7	14.8	1.75	1.75
U 160	24	18.8	160	65	7.5	10.5	10.5	5.5	925	116	6.21	85.3	18.3	1.89	1.84
U 180	28	22	180	70	8	11	11	5.5	1350	150	6.95	114	22.4	2.02	1.92
U 200	32.2	25.3	200	75	8.5	11.5	11.5	6	1910	191	7.7	148	27	2.14	2.01

Denumire Designation	Abateri limită Tolerances		
	h (mm)	b (mm)	t (mm)
U 80	±2.0	±1.5	-0.5
U 100			
U 120			
U 140		±2.0	-1.0
U 160			
U 180			
U 200			

**Livrare:** - Lungimi fixe de la 6m la 12m din metru în metru;  
- Orice altă lungime stabilită de comun acord Producător-Beneficiar;  
- Legături de la 2.5 t până la 5 t;

**Delivery:** - Fixed lengths between 6m and 12m, cut at every one metre;  
- Any other length agreed between Manufacturer and Beneficiary;  
- Bundles from 2.5 to 5 t;

# L

## Cornier cu aripi egale

- Dimensiuni și toleranțe în conformitate cu:

EN 10056-1:1998  
 EN 10056-2:1994  
 DIN 1028:1963  
 SR EN 10056-1:2000  
 SR EN 10056-2:1996

- Marci de oțel:

EN 10025-1:2004  
 EN 10025-2:2004

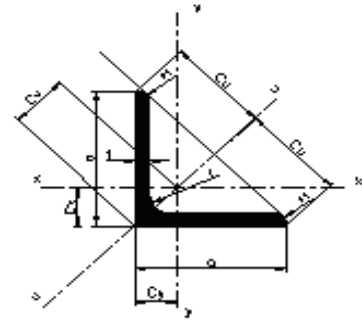
## Equal angles

- Dimensions and tolerances in accordance with:

EN 10056-1:1998  
 EN 10056-2:1994  
 DIN 1028:1963  
 SR EN 10056-1:2000  
 SR EN 10056-2:1996

- Steel grades:

EN 10025-1:2004  
 EN 10025-2:2004



Denumire Designation a x a x t (mm)	G (kg/m)	A (cm <sup>2</sup> )	Dimensiuni Dimensions			Distanțe ale centrului de greutate Distances of center of gravity			Marimi statice Section properties							
			a (mm)	t (mm)	r (mm)	Cx=Cy (cm)	Cu (cm)	Cv (cm)	X-X=Y-Y			U-U			V-V	
									Ix=Iy (cm <sup>4</sup> )	rx=ry (cm)	Zx=Zy (cm <sup>3</sup> )	Iu (cm <sup>4</sup> )	ru (cm)	Iv (cm <sup>4</sup> )	rv (cm)	Zv (cm <sup>3</sup> )
40x40x4	2.42	3.08	40	4	6	1.12	2.83	1.58	4.47	1.21	1.55	7.09	1.52	1.86	0.777	1.17
40x40x5	2.97	3.79	40	5	6	1.16	2.83	1.64	5.43	1.2	1.91	8.6	1.51	2.26	0.773	1.38
40x40x6*	3.52	4.48	40	6	6	1.20	2.83	1.70	6.33	1.19	2.26	9.98	1.49	2.67	0.770	1.57
45x45x4	2.74	3.49	45	4	7	1.23	3.18	1.75	6.43	1.36	1.97	10.2	1.71	2.68	0.88	1.53
45x45x5	3.38	4.30	45	5	7	1.28	3.18	1.81	7.83	1.35	2.43	12.4	1.70	3.25	0.87	1.80
45x45x6	4.00	5.09	45	6	7	1.32	3.18	1.87	9.16	1.34	2.88	14.5	1.69	3.83	0.87	2.05
50x50x4	3.06	3.89	50	4	7	1.36	3.54	1.92	8.97	1.52	2.46	14.2	1.91	3.73	0.979	1.94
50x50x5	3.77	4.8	50	5	7	1.4	3.54	1.99	11	1.51	3.05	17.4	1.9	4.55	0.973	2.29
50x50x6	4.47	5.69	50	6	7	1.45	3.54	2.04	12.8	1.5	3.61	20.3	1.89	5.34	0.968	2.61
50x50x7	5.15	6.56	50	7	7	1.49	3.54	2.11	14.6	1.49	4.15	23.1	1.88	6.02	0.96	2.85
50x50x8*	5.82	7.41	50	8	7	1.52	3.54	2.16	16.3	1.48	4.68	25.7	1.86	6.87	0.96	3.19
60x60x5	4.57	5.82	60	5	8	1.64	4.24	2.32	19.4	1.82	4.45	30.7	2.3	8.03	1.17	3.46
60x60x6	5.42	6.91	60	6	8	1.69	4.24	2.39	22.8	1.82	5.29	36.1	2.29	9.44	1.17	3.96
60x60x8	7.09	9.03	60	8	8	1.77	4.24	2.5	29.2	1.8	6.89	46.1	2.26	12.2	1.16	4.86
70x70x6	6.38	8.13	70	6	9	1.93	4.95	2.73	36.9	2.13	7.27	58.5	2.68	15.3	1.37	5.6
70x70x7	7.38	9.4	70	7	9	1.97	4.95	2.79	42.3	2.12	8.41	67.1	2.67	17.5	1.36	6.28
70x70x9*	9.34	11.9	70	9	9	2.05	4.95	2.90	52.6	2.10	10.6	83.1	2.64	22.0	1.36	7.59
80x80x7*	8.49	10.8	80	7	10	2.21	5.66	3.13	64.2	2.44	11.1	102	3.07	26.5	1.57	8.48
80x80x8	9.63	12.3	80	8	10	2.26	5.66	3.19	72.2	2.43	12.6	115	3.06	29.9	1.56	9.37
80x80x10	11.9	15.1	80	10	10	2.34	5.66	3.3	87.5	2.41	15.4	139	3.03	36.4	1.55	11
90x90x7	9.61	12.2	90	7	11	2.45	6.36	3.47	92.6	2.75	14.1	147	3.46	38.3	1.77	11
90x90x8	10.9	13.9	90	8	11	2.5	6.36	3.53	104	2.74	16.1	166	3.45	43.1	1.76	12.2
90x90x9	12.2	15.5	90	9	11	2.54	6.36	3.59	116	2.73	17.9	184	3.44	47.9	1.76	13.3
90x90x10	13.4	17.1	90	10	11	2.58	6.36	3.65	127	2.72	19.8	201	3.42	52.6	1.75	14.4
90x90x11*	14.7	18.7	90	11	11	2.62	6.36	3.70	138	2.72	21.6	218	3.41	57.1	1.76	15.4
100x100x8	12.2	15.5	100	8	12	2.74	7.07	3.87	145	3.06	19.9	230	3.85	59.9	1.96	15.5
100x100x10	15	19.2	100	10	12	2.82	7.07	3.99	177	3.04	24.6	280	3.83	73	1.95	18.3
100x100x12	17.8	22.7	100	12	12	2.9	7.07	4.11	207	3.02	29.1	328	3.8	85.7	1.94	20.9
120x120x10	18.2	23.2	120	10	13	3.31	8.49	4.69	313	3.67	36.0	497	4.63	129	2.36	27.5
120x120x11*	19.9	25.4	120	11	13	3.36	8.49	4.75	341	3.67	39.5	541	4.63	140	2.36	29.5
120x120x12	19.9	25.4	120	12	13	3.40	8.49	4.80	368	3.65	42.7	584	4.60	152	2.35	31.6
120x120x13*	23.3	29.7	120	13	13	3.44	8.49	4.86	394	3.65	46.0	625	4.60	162	2.35	33.3
140x140x13	27.5	35.0	140	13	15	3.92	9.90	5.54	638	4.27	63.3	1010	5.38	262	2.74	47.3
140x140x15*	31.4	40.0	140	15	15	4.00	9.90	5.66	723	4.25	72.3	1150	5.36	298	2.73	52.7
•150x150x12	27.3	34.8	150	12	16	4.12	10.6	5.83	737	4.60	67.7	1170	5.80	303	2.95	52.0

\*Dimensiunile se fabrică la înțelegere

•In curs de asimilare

Latimea aripii		Grosimea cornierului	
Latime (mm)	Toleranta (mm)	Grosime t (mm)	Toleranta (mm)
a ≤ 50	± 1.0	t ≤ 5	± 0.50
50 < a ≤ 100	± 2.0	5 < t ≤ 10	± 0.75
100 < a ≤ 150	± 3.0	10 < t ≤ 15	± 1.0

**Livrare:** - Lungimi fixe de la 6m la 12m, din metru în metru;  
 - Orice altă lungime stabilită de comun acord Producător-Beneficiar;  
 - Legături de la 2.5 t până la 5 t.

**Delivery:** - Fixed lengths between 6m and 12m, cut at every one metre;  
 - Any other length agreed between Manufacturer and Beneficiary;  
 - Bundles from 2.5t to 5 t.

# LL

## Cornier cu aripi inegale

- Dimensiuni si tolerante in conformitate cu:

EN 10056-1:1998  
EN 10056-2:1994  
SR EN 10056-1:2000  
SR EN 10056-2:1996

- Marci de otel:

EN 10025-1:2004  
EN 10025-2:2004

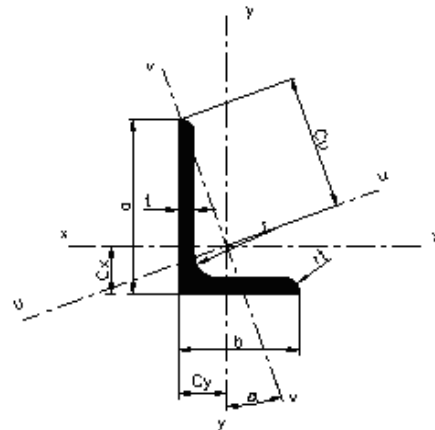
## Unequal angles

- Dimensions and tolerances in accordance with:

EN 10056-1:1998  
EN 10056-2:1994  
SR EN 10056-1:2000  
SR EN 10056-2:1996

- Steel grades:

EN 10025-1:2004  
EN 10025-2:2004



Denumire Designation a x b x t (mm)	G (kg/ m)	A (cm <sup>2</sup> )	Dimensiuni Dimensions				Distanțe ale centrului de greutate Distances of center of gravity				Marimi statice Section properties								tga		
			a	b	t	r	Cx	Cy	Cx'	Cy'	X-X			Y-Y			U-U			V-V	
											Ix (cm <sup>4</sup> )	rx (cm)	Zx (cm <sup>3</sup> )	Iy (cm <sup>4</sup> )	ry (cm)	Zy (cm <sup>3</sup> )	Iu (cm <sup>4</sup> )	ru (cm)		Iv (cm <sup>4</sup> )	rv (cm)
60x40x5	3.76	4.79	60	40	5	6	1.96	0.97	4.1	2.11	17.2	1.89	4.25	6.11	1.13	2.02	19.7	2.03	3.54	0.86	0.434
60x40x6	4.46	5.68	60	40	6	6	2	1.01	4.08	2.1	20.1	1.88	5.03	7.12	1.12	2.38	23.1	2.02	4.16	0.85	0.431
100x75x7*	9.32	11.9	100	75	7	10	3.06	1.83	6.96	3.61	118	3.15	17	56.9	2.19	10.0	145	3.49	30.1	1.59	0.553
100x75x8	10.6	13.5	100	75	8	10	3.1	1.87	6.95	3.65	133	3.14	19.3	64.1	2.18	11.4	162	3.47	34.6	1.6	0.547

\*Dimensiunile se fabrica la intelegere

Latimea aripii		Grosimea cornierului	
Latime (mm)	Toleranta (mm)	Grosime t (mm)	Toleranta (mm)
50 < a ≤ 100	± 2.0	5 < t ≤ 10	± 0.75

**Livrare:** - Lungimi fixe de la 6m la 12m, din metru în metru;

- Orice altă lungime stabilită de comun acord Producător-Beneficiar;
- Legături de la 2.5 t până la 5 t;

**Delivery:** - Fixed lengths between 6m and 12m, cut at every one metre;

- Any other length agreed between Manufacturer and Beneficiary;
- Bundles from 2.5t to 5 t;

## OȚEL LAMINAT LA CALD HOT ROLED STEEL

### Otel patrat

- Dimensiuni si tolerante in conformitate cu:

EN 10059:2003  
DIN 1014:1963  
SR EN 10059:2004

- Marci de otel:

EN 10025-1:2004  
EN 10025-2:2004

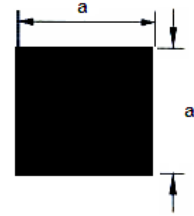
### Square steel

- Dimensions and tolerances in accordance with:

EN 10059:2003  
DIN 1014:1963  
SR EN 10059:2004

- Steel grades:

EN 10025-1:2004  
EN 10025-2:2004



Dimensiune Dimension a (mm)	Abatere limita Tolerance (mm)	Masa Weight (kg/m)	Aria sectiunii Sectional area (cm <sup>2</sup> )
5*	± 0.4	0.196	0.25
6*		0.283	0.36
7*		0.385	0.49
7.5*		0.441	0.56
8		0.502	0.64
9*		0.636	0.81
10		0.785	1
11*		0.95	1.21

\* Dimensiunile se fabrica la intelegere

### Otel lat

- Dimensiuni si tolerante in conformitate cu:

EN 10058:2003  
DIN 1017:1967  
SR EN 10058:2004

- Marci de otel:

EN 10025-1:2004  
EN 10025-2:2004

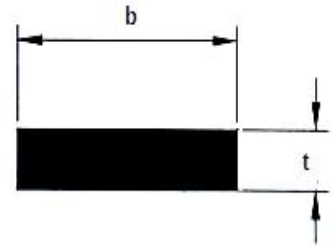
### Flat steel

- Dimensions and tolerances in accordance with:

EN 10058:2003  
DIN 1017:1967  
SR EN 10058:2004

- Steel grades:

EN 10025-1:2004  
EN 10025-2:2004



b x t	Abateri limita Tolerances		Aria sectiunii Sectional area (mm)	Masa liniara Weight per meter (mm)
	b (mm)	t (mm)		
10 x 5	±0.75	±0.5	50	0.393
11 x 5*			55	0.432
11 x 6*			66	0.518
12 x 5			60	0.471
12 x 6			72	0.565
13 x 5*			65	0.510
13 x 6*			78	0.612
14 x 5*			70	0.550
14 x 6*			84	0.659
15 x 5			75	0.589
15 x 6			90	0.707
16 x 5			80	0.628
16 x 6			96	0.754
17 x 5*			85	0.667
17 x 6*			102	0.801
18 x 5*			90	0.707
18 x 6*			108	0.848
20 x 5			100	0.785

- Livrare:** - Lungimi cuprinse între 3 ÷ 6m;  
- Orice altă lungime stabilită de comun acord Producător Beneficiar;  
- Legături de la 1.0 t până la 2.5 t;
- Delivery:** - Fixed lengths between 3÷6m;  
- Any other length agreed between Manufacturer and Beneficiary;  
- Bundles from 1.0t to2.5 t;

\* Dimensiunile se fabrica la intelegere